

Disc brake

Technical data and dimensions

Caliper 2CA2

Fail safe braking
 Braking by spring application
 Electromagnetic release
 Automatic wear compensation
 Opening proving switch

Working conditions:

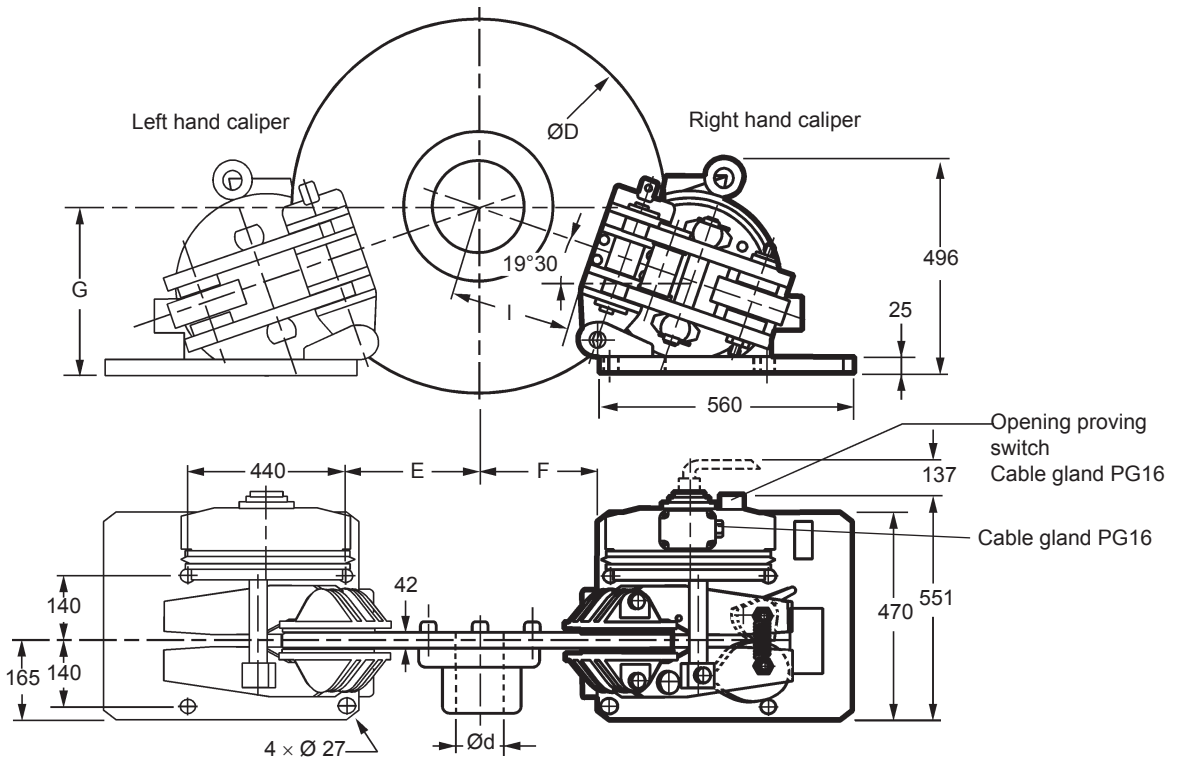
- Ambient temperature: -10°C to +60°C
- Relative humidity ≤ 70%
- Dust in atmosphere ≥ 65µ

Other conditions, consult us.

Use:
 Any application up to 600act/h

Options:

- Brake pads with wear indicator
- Manual wear compensation
- Hydraulic release
- Load regulated lowering
- Flameproof protection
- Marine protection.



Weight: 310kg
 Response time at nominal torque: $\Delta t \leq 0.3$ s

Discs		625	795	995
Nominal torque for 1 caliper adjustable from -30 to +20%	N.m	3800	5150	6700
Maximum disc speed for nominal torque	r.p.m.	1500	1200	900
D	mm	625	795	995
d	mm	40-140	40-180	40-180
E	mm	157	250	345
F	mm	127	220	315
G	mm	353	385	415
I (approx. dimension)	mm	174	268	368
Maximum reaction on shaft	1 caliper	N	18600	
	2 calipers	N	12600	

Technical data :

Opening proving switch :

250VAC maxi., 5A maxi., with interrupting capacity : 50VA maxi.
 220VDC maxi., 5A maxi., with interrupting capacity : 50W maxi.

Compatible with PLC (Programmable Logic Controllers).
 An opening switch used with other equipment than PLC must not be reused with a PLC.

Due to continuous development and improvement, all dimensions and characteristics are subject to change without notice.

Install. and maint.	Leaflet No. M10048-01	Discs	Leaflet No. T02220-01	07/07/11
Spare parts	No. S10048-01	Drawings	No.G10047-01	
Options	No. A10048-01	Supplies AC32	No. T10005-01 / T10006-01 / T10007-01 / T10008-01	
				T10051-01-B